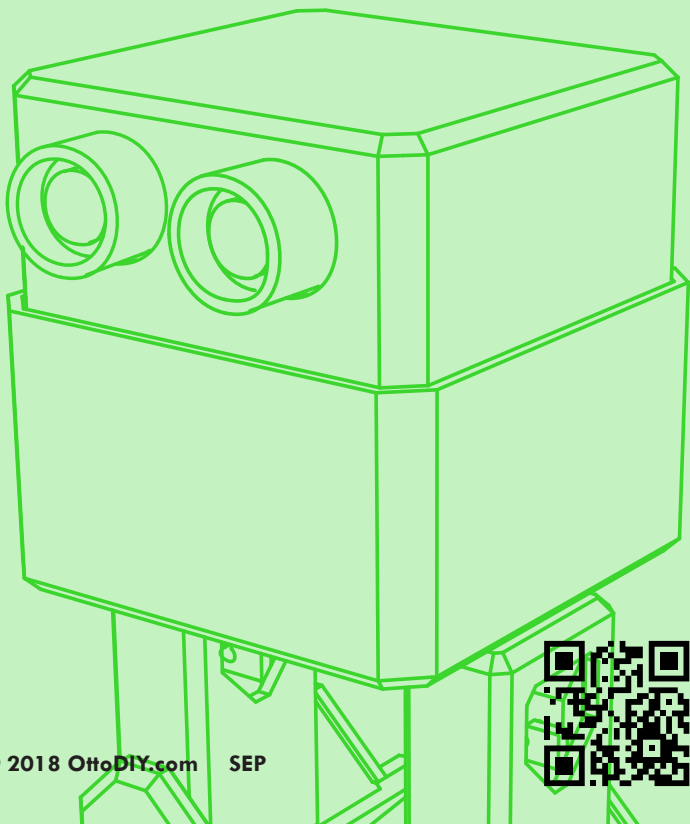




INSTRUCTION MANUAL

DIY

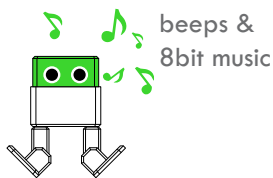
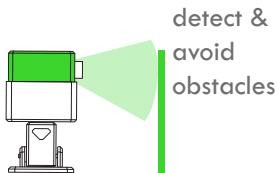
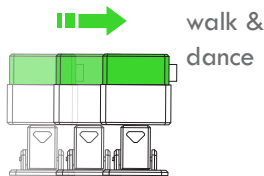


build your own robot

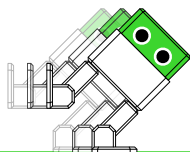
O++O

Otto is an interactive robot that anyone can make!

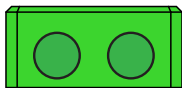
you will be able to build your own Otto in as little as one hour!
easy to build and disassemble with a simple screwdriver.



#OttoDIY
follow us!



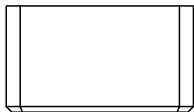
PARTS



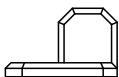
3D printed Head



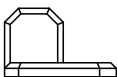
3D printed Leg
x2



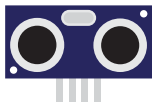
3D printed body



3D printed feet
x2



ultrasound sensor HC-SR04



pointed screw x8



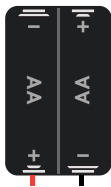
micro servo motor SG90 x4



short screw x4

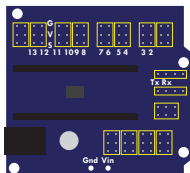


servo arms "horns"

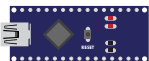


AA battery holder*

*4AA batteries not included



Arduino NANO shield



Arduino NANO



mini usb cable



switch 8x8mm



buzzer



Phillips screwdriver

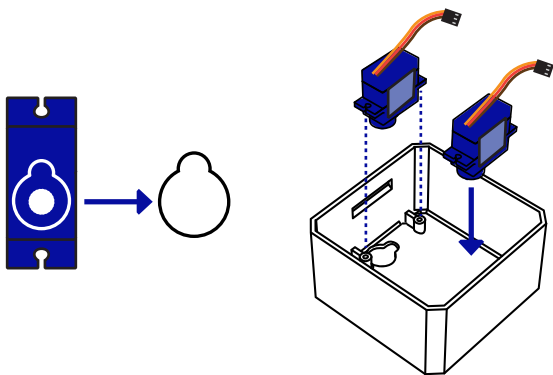
Dupont connector cable F/F x6



1

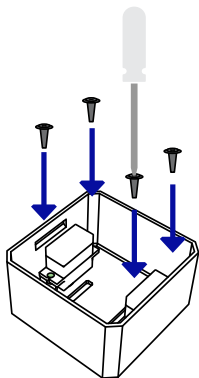


a



b

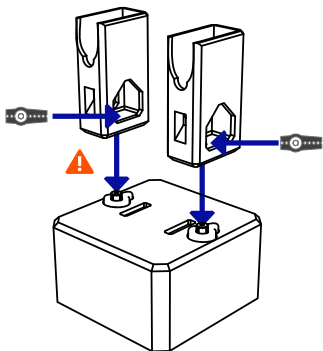
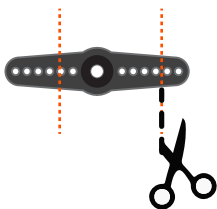

pointed screw x4



2



a



b

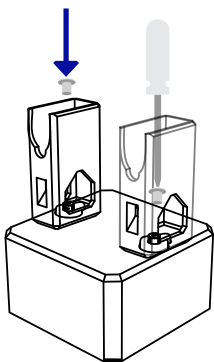
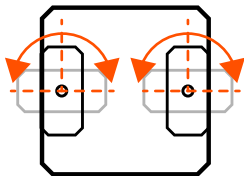


ANGLE

center the motors

180°

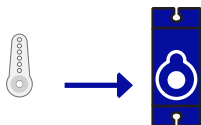
180°



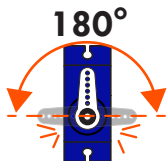
3



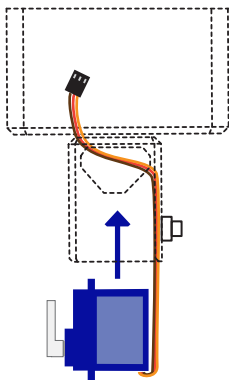
a



ANGLE
center the motors
IF FORCED IT WILL BREAK



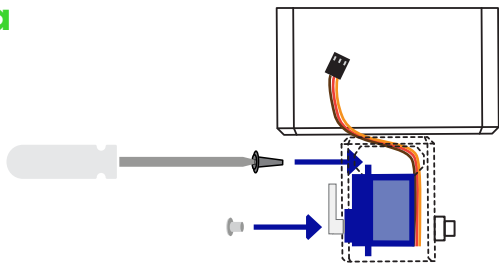
b



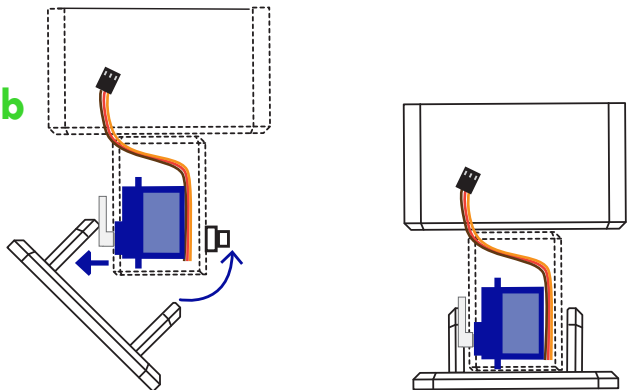
4



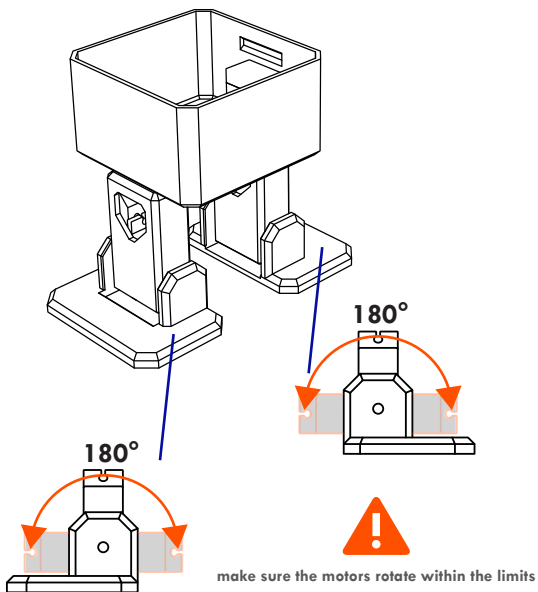
a



b



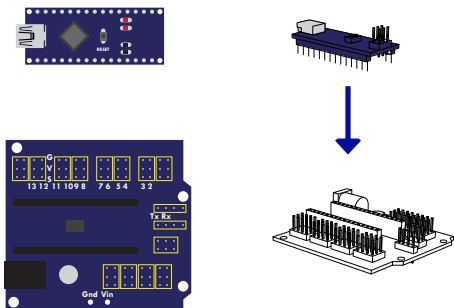
5



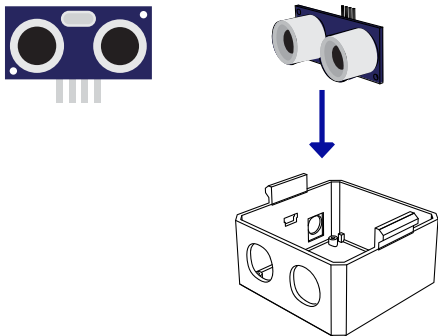
6



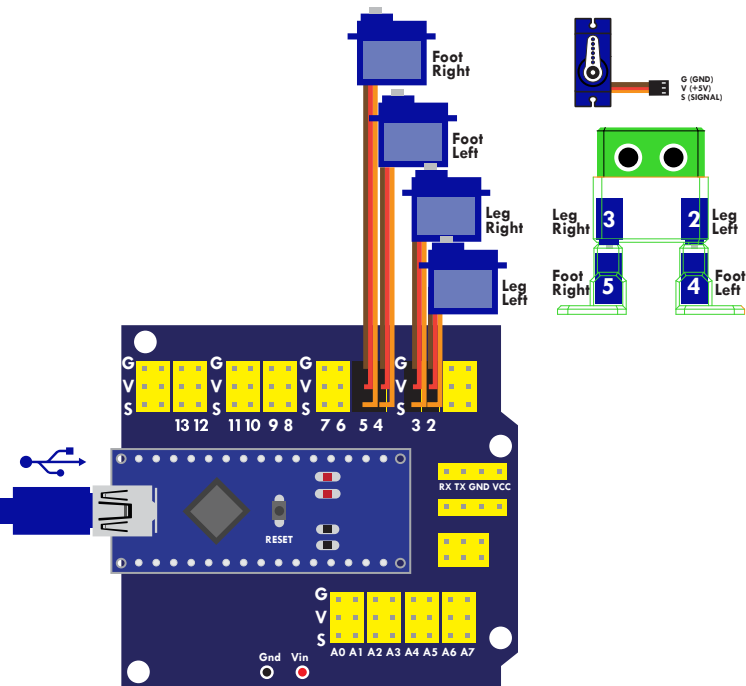
a



b



7

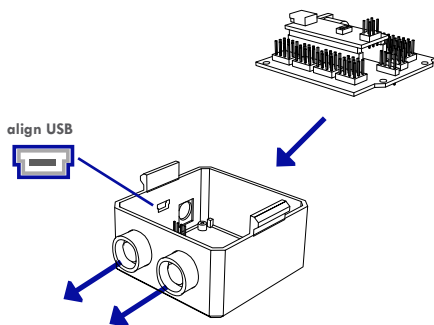


Upload Otto_smooth_criminal.ino code from this link:
<https://wikifactory.com/+OttoDIY/otto-diy>

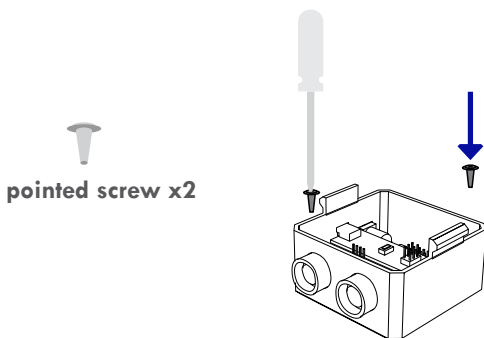
8

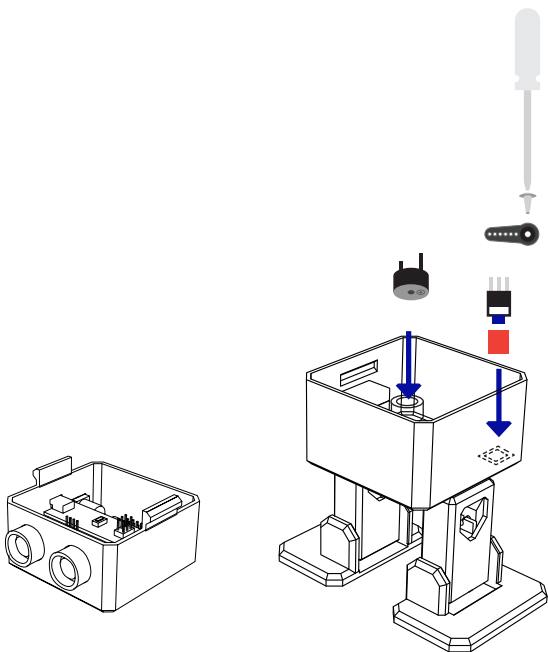


a

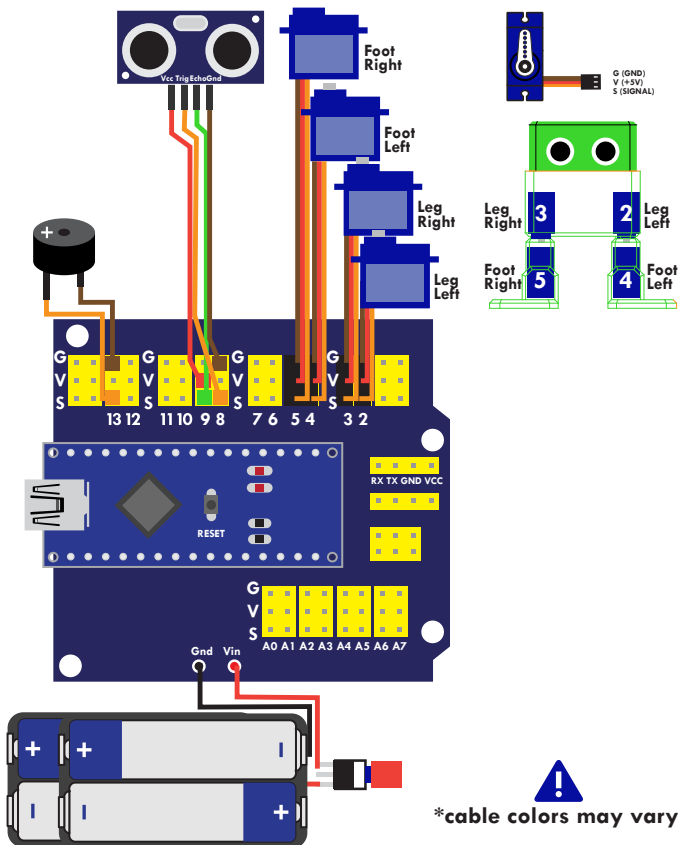


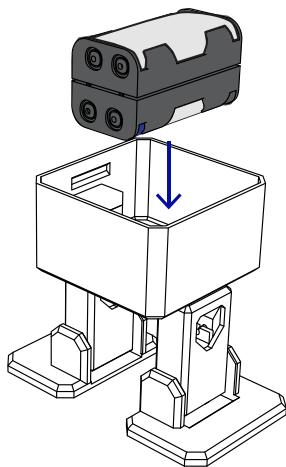
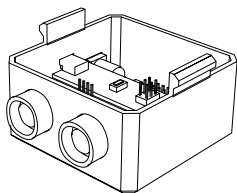
b



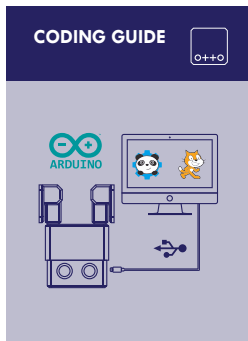
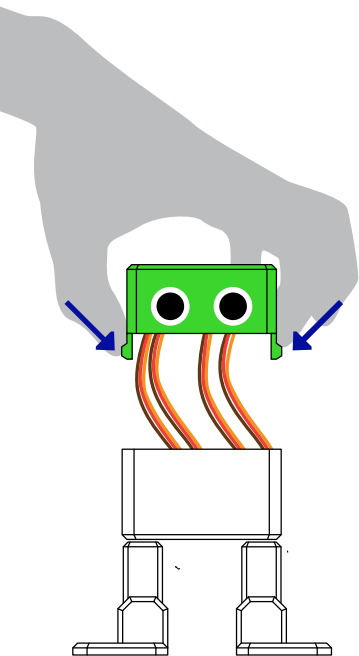


10

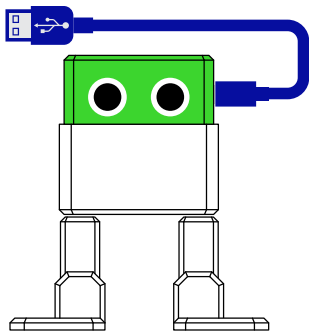




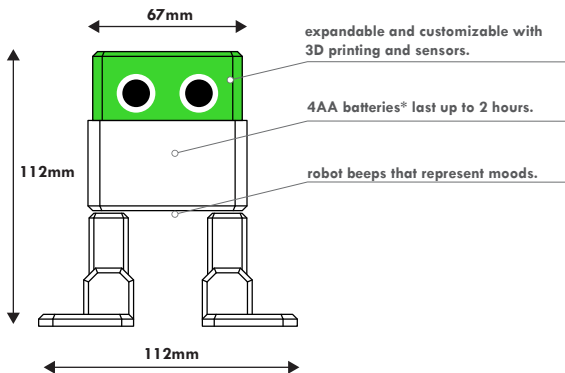
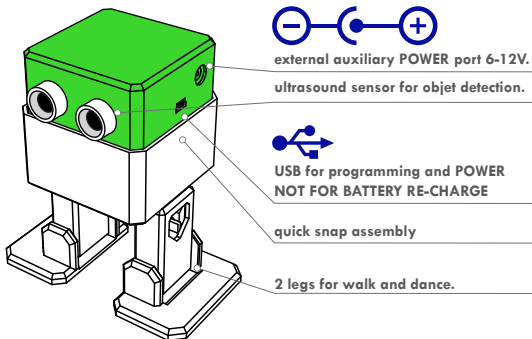
12



read the coding guide!



13

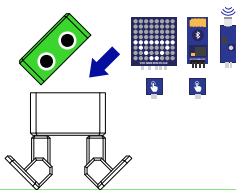


14

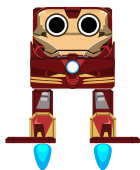


#OttoDIY share
post your creations!

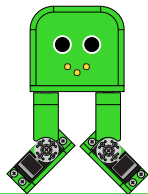
expand...



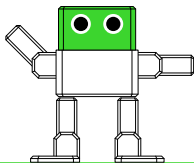
customize



remix



modify





wanted Otto builders

do you have what it takes?

[facebook.com/groups/ottodiy/](https://www.facebook.com/groups/ottodiy/)

